

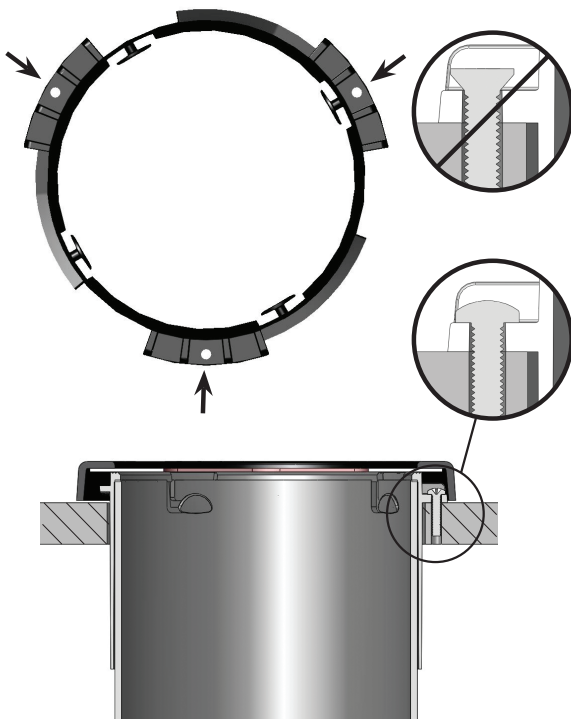
# C2210C EZ-FIT® EURO CUP DISPENSER INSTALLATION INSTRUCTIONS

1. CUT HOLE IN COUNTER SURFACE



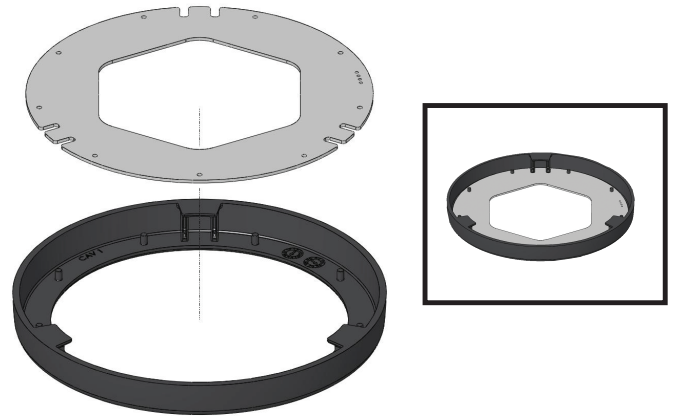
2. REMOVE TRIM RING TURNING COUNTER CLOCKWISE

3. SECURE CUP DISPENSER TO COUNTER WITH SUPPLIED SCREWS (#8 SCREWS)

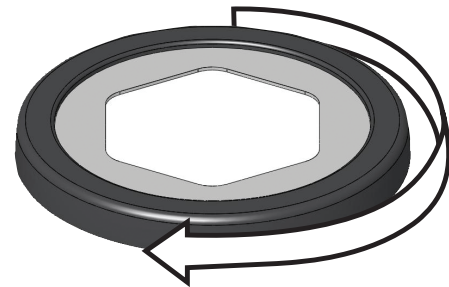


4. SELECT PROPER SIZE GASKET FOR CUP (SEE TABLE ON BACK)

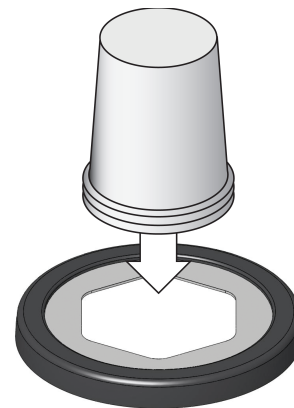
5. INSTALL GASKET OVER POSTS IN UNDERSIDE OF RING



6. REPLACE COVER RING WITH GASKET BY TURNING CLOCKWISE OVER MOUNTING RING UNTIL SECURE



7. LOAD CUPS THROUGH GASKET



## REPLACEMENT PARTS & ACCESSORIES (see reverse side for replacement gaskets)

**X22MT** Black Mounting Ring (new low profile)  
**X22TR** Black Trim Ring (new low profile)  
**C2215** Spring

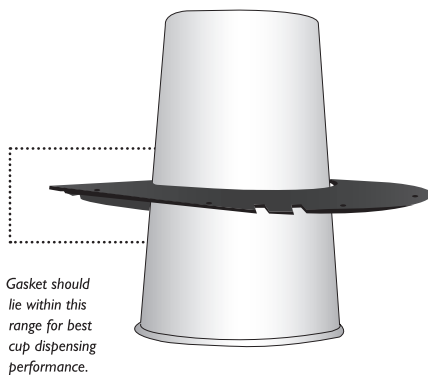
**C2203BK** End Cap  
**C3426BK** Cup Pusher

**C2202SV** Wire Cage for Surface Mount  
**C22XC** Chrome Trim Ring

# GASKET SIZING GUIDE

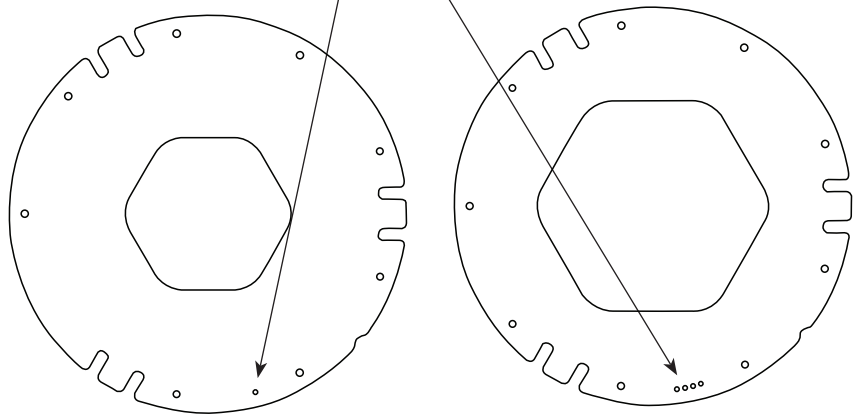
| Approximate Cup Rim Diameter            |   | Approximate Cup Size Range       | Gasket Size | REPLACEMENT GASKET KITS |  | Quantity of Gaskets in Kit |
|---|---|----------------------------------|-------------|-------------------------|--|----------------------------|
| minimum                                 | maximum                                 |                                  |             | Part Numbers            | black  |                            |
| 2 <sup>7</sup> / <sub>8</sub> " (73 mm) | 3 <sup>3</sup> / <sub>8</sub> " (79 mm) | 6 oz (177 mL) to 10 oz (296mL)   | SMALL       | XC2222SBK               | XC2222S  | 3                          |
| 3 <sup>1</sup> / <sub>8</sub> " (79 mm) | 3 <sup>3</sup> / <sub>8</sub> " (86 mm) | 8 oz (236 mL) to 12 oz (355mL)   | MEDIUM      | XC2222MBK               | XC2222M  | 3                          |
| 3 <sup>1</sup> / <sub>2</sub> " (89 mm) | 3 <sup>5</sup> / <sub>8</sub> " (92 mm) | 12 oz (355 mL) to 22 oz (650mL)  | LARGE       | XC2222LBK               | XC2222L  | 3                          |
| 3 <sup>3</sup> / <sub>4</sub> " (95 mm) | 3 <sup>7</sup> / <sub>8</sub> " (98 mm) | 18 oz (532 mL) to 24 oz (709 mL) | EXTRA LARGE | XC2222XLBK              | XC2222XL   | 3                          |
|   |   |                                  |             |                         | XC2226<br>One each-Small,<br>Medium, Large,<br>Extra Large | 4                          |

## HOW TO DETERMINE WHICH GASKET TO USE



1. Turn cup upside down.
2. Affix gasket over cup. Gasket should rest about  $\frac{2}{3}$  of the way down from rim of cup.
3. When gasket fits appropriately, this indicates the correct gasket size to use.

SMALL GROUPING OF HOLES ON EDGE INDICATE GASKET SIZE (SEE CHART)



| # OF HOLES | GASKET SIZE | PART #   |
|------------|-------------|----------|
| °          | SMALL       | XC2222S  |
| ° °        | MEDIUM      | XC2222M  |
| ° ° °      | LARGE       | XC2222L  |
| ° ° ° °    | EXTRA LARGE | XC2222XL |

**San Jamar**  
555 Koopman Lane  
Elkhorn, Wisconsin 53121  
USA  
T: +1.262.723.6133  
F: +1.262.723.4204  
info@sanjamar.com  
www.sanjamar.com

**Canada**  
15252 32nd Avenue  
Suite 309  
Surrey, BC V3S 0R7  
CANADA  
T: +1.262.723.6133  
F: +1.262.723.4204  
canada@sanjamar.com

**Europe**  
Schoorstraat 26a, bus 1  
2220 Heist op-den Berg  
BELGIUM  
T: +32 15 22 81 40  
F: +32 15 22 81 48  
emea@sanjamar.com

**México**  
Av. Paseo de la Reforma No. 350 - 10  
Col. Juárez  
Deleg. Cuauhtemoc, CP 06600  
MEXICO, D.F.  
T: +52 (55) 3626 0772  
mexico@sanjamar.com

